

XE22-110-TX



Outdoor 1-Port EPoC TX Adapter

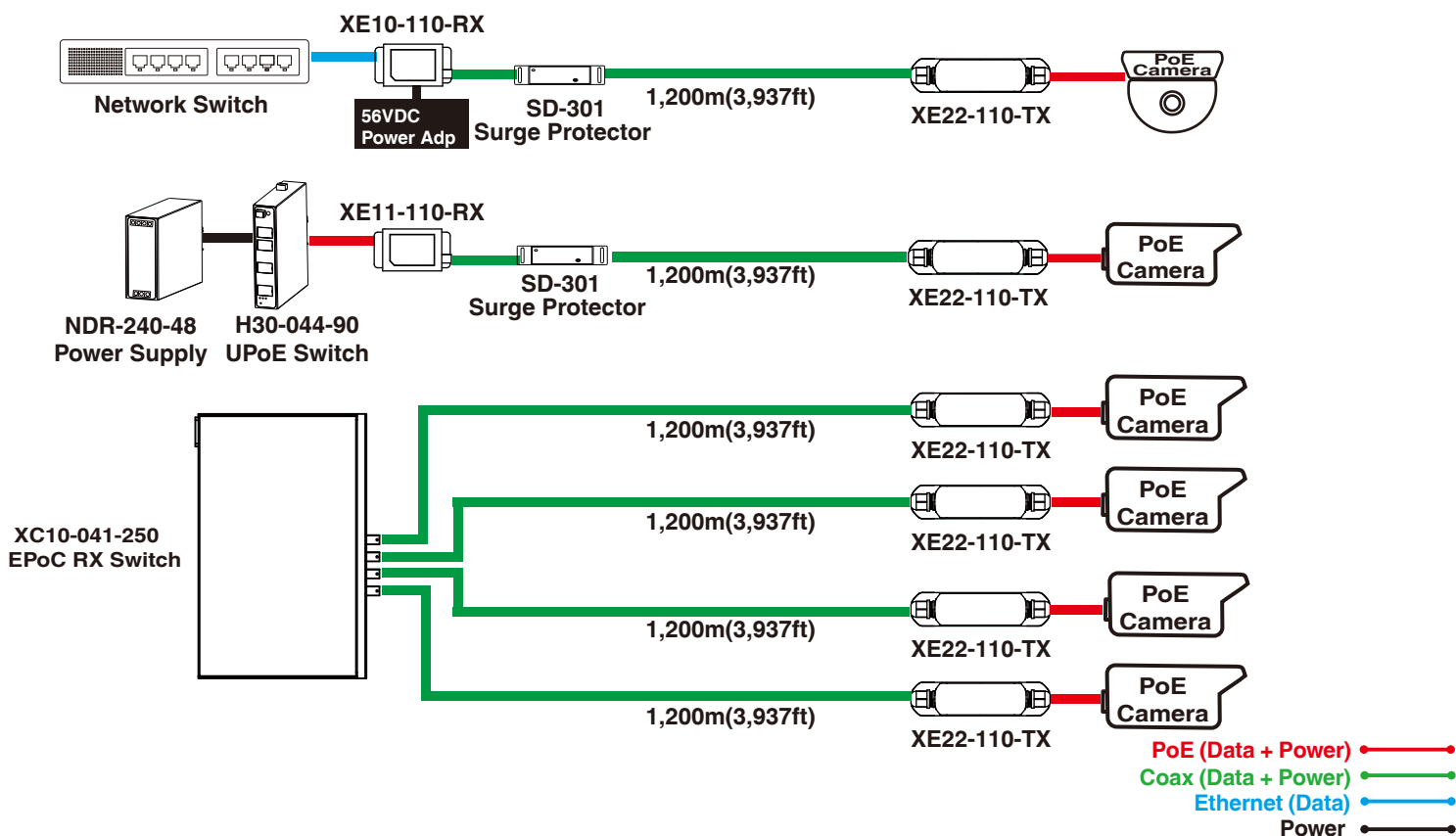
The XE22-110-TX, a outdoor 1-to-1 EPoC (Ethernet & Power over Coax) transmitter(TX) adapter equipped with 1 BNC port & 1 RJ-45 PoE port, is designed to connect a remote PoE IP camera over single coax without requiring extra power supply. This cutting-edge model delivers data and power at long range up to 1,200m for a PoE IP camera. Besides long-range PoE solution, XE22-110-TX is often used to upgrade legacy of CCTV to PoE IP surveillance without changing existing coaxial cable infrastructure.

Outdoor model supports built-in 6KV EPoC surge protection, IP67 rated, IK10 vandal proof, and operates under harsh weather conditions between -30°C ~ 60°C (-22°F ~ 140°F).

Features

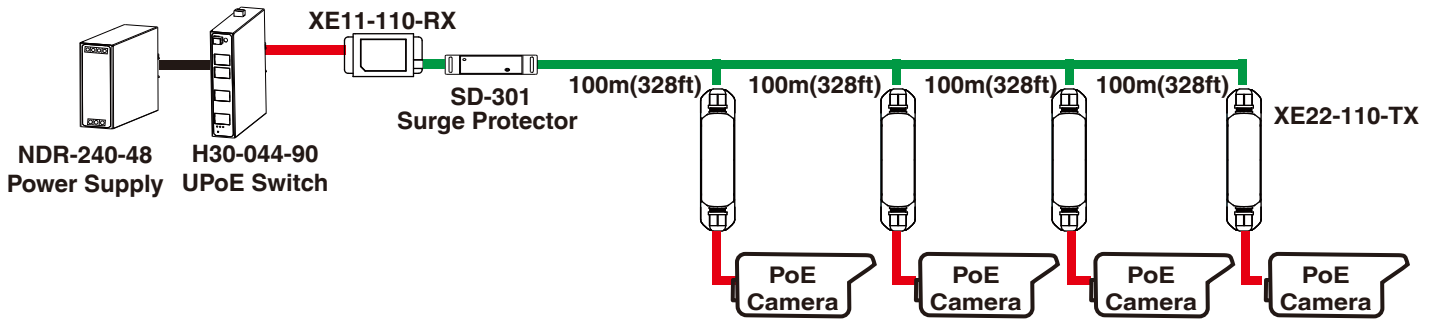
- One BNC coax port & one PoE LAN port
- IP67 rated, IK10 vandal proof
- Built-in 6KV EPoC surge protection
- Without requiring extra power adapter beside remote PoE IP camera
- Delivers up to 9.7 watts@1200m(3,937ft) for a PoE IP camera
- PoE Output On/Off control
- Re-uses existing coax for a PoE IP camera

Applications

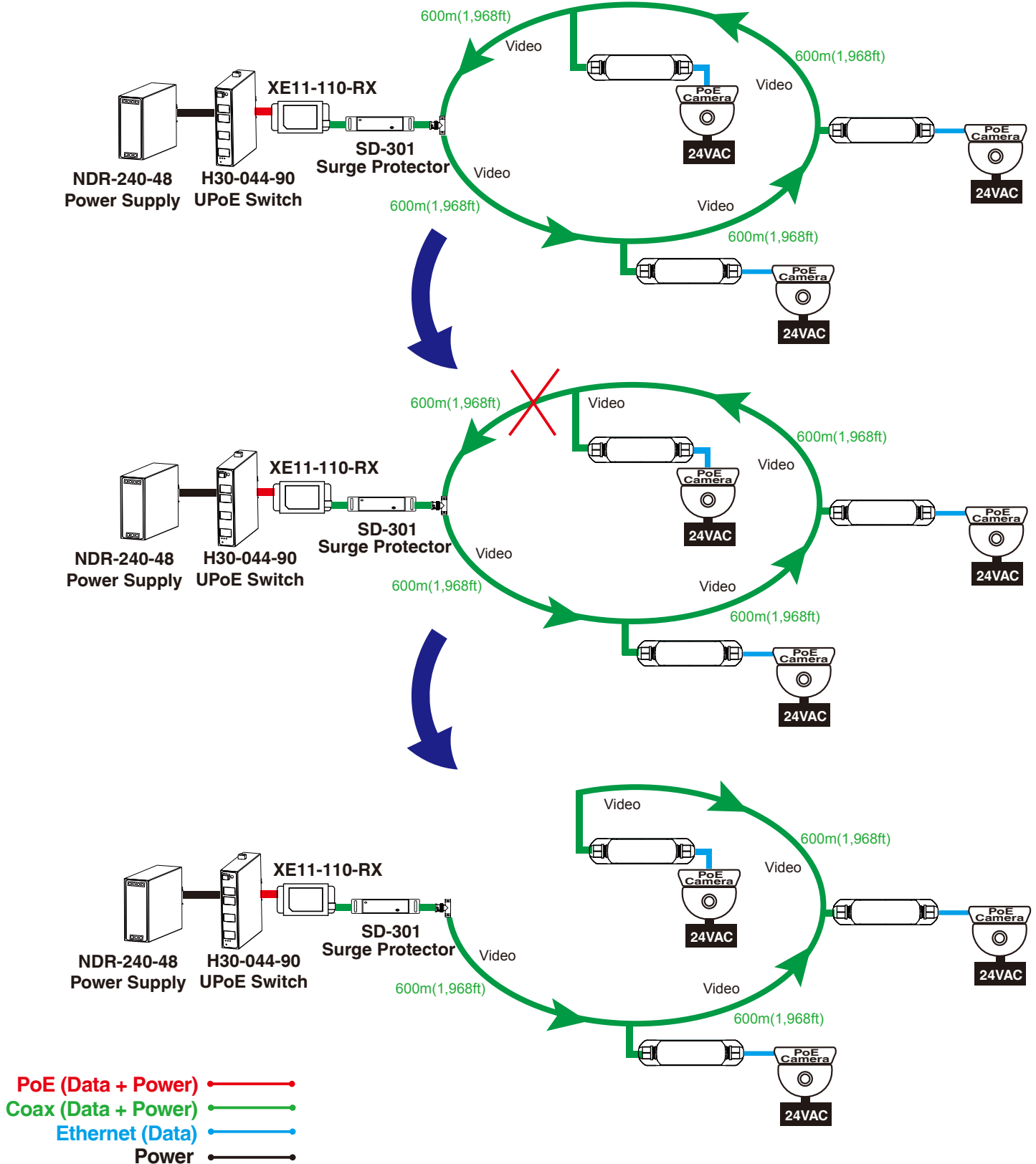


Applications

EPoC Daisy-chain



EoC Video Failover



Specifications

Interface / Distance

| | |
|---------------------------|--|
| Coaxial BNC | 75 ohm x1 |
| 10/100/ Mbps Ethernet | PoE PSE RJ45 x1 |
| Transmission mode | Transmitter TX mode |
| MAX.(Power+Data) Distance | 100Mbps, 9.7W@1,200m(3,937ft) 100Mbps@2,400m(7,874ft) Data only |
| Cable Type | 75 ohm RG59/RG6/RG11 Coax |
| Bandwidth | 600 Mbps |

Power Specifications

| | |
|------------------------|---------------|
| Power Input | EPoC@50~57VDC |
| Power Output | PoE |
| Unit Power Consumption | 3 watts |
| EPoC Surge Protection | 6KV |

Physical Specifications

| | |
|--------------------|--|
| Weather Rating | IP67 |
| Vandal Proof | IK10 |
| Dimensions (LxWxH) | 157 x 55.8 x 39.75 mm (6.18x2.2x1.56") |
| Weight | 0.3 kg (0.66 lb) |
| Connectors | M25 x1(BNC), M25 x1(RJ45), PoE On/Off Switch x1 |
| Mounting Type | Wall mount |

Environmental Specifications

| | |
|-----------------------|------------------------------|
| Operating Temperature | -30°C ~ 60°C (-22°F ~ 140°F) |
| Storage Temperature | -40°C ~ 85°C (-40°F ~ 185°F) |
| Relative Humidity | 5% ~ 95% non-condensing |

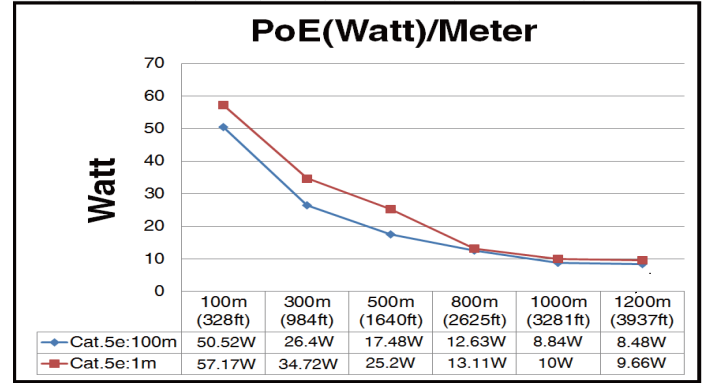
Certifications

| | |
|-----|-----------------------|
| EMC | CE, FCC, VCCI, C-Tick |
|-----|-----------------------|

LEDs

| | |
|-----|-------------------------------|
| LAN | Ethernet status |
| PWR | Power status |
| BNC | EPoC RX device connect status |
| POE | PoE status |

Power / Distance Chart



Related Products

EPoC RX Switch



XC10-041-250

- Four BNC coax ports & one Gigabit LAN port
- 6KV Surge Protection for coax port
- 250W Power Supply, 100~240VAC input

EPoC (RX)



- XE10-110-RX
- XE10-110 EPoC adapter(RX)
- 65W@56VDC power adapter



- XE11-110 PoE EPoC adapter(RX)
- Supports 30W/60W/95W PoE Input

Accessories



- BNC-YC
- Y-type BNC cable